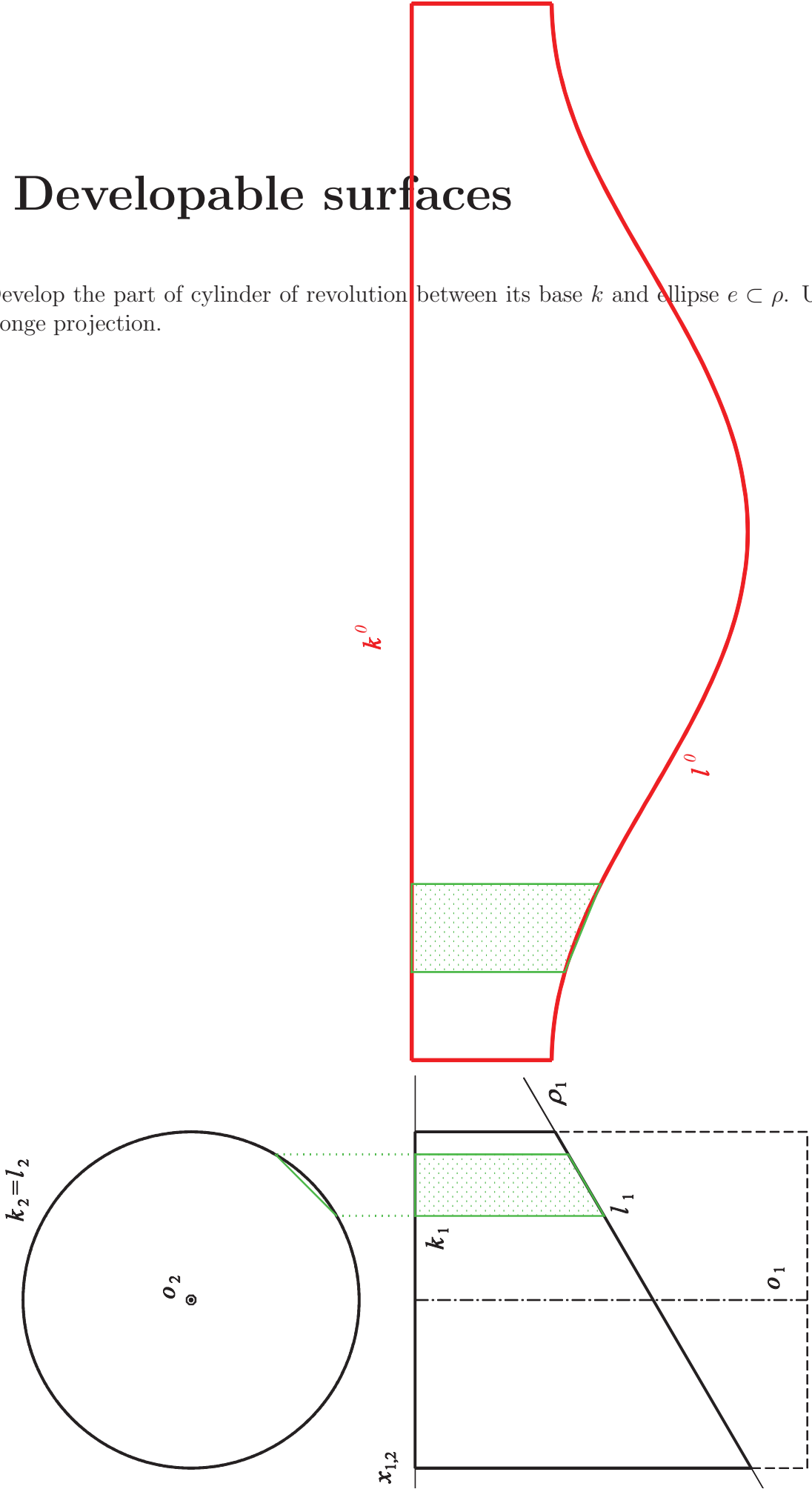
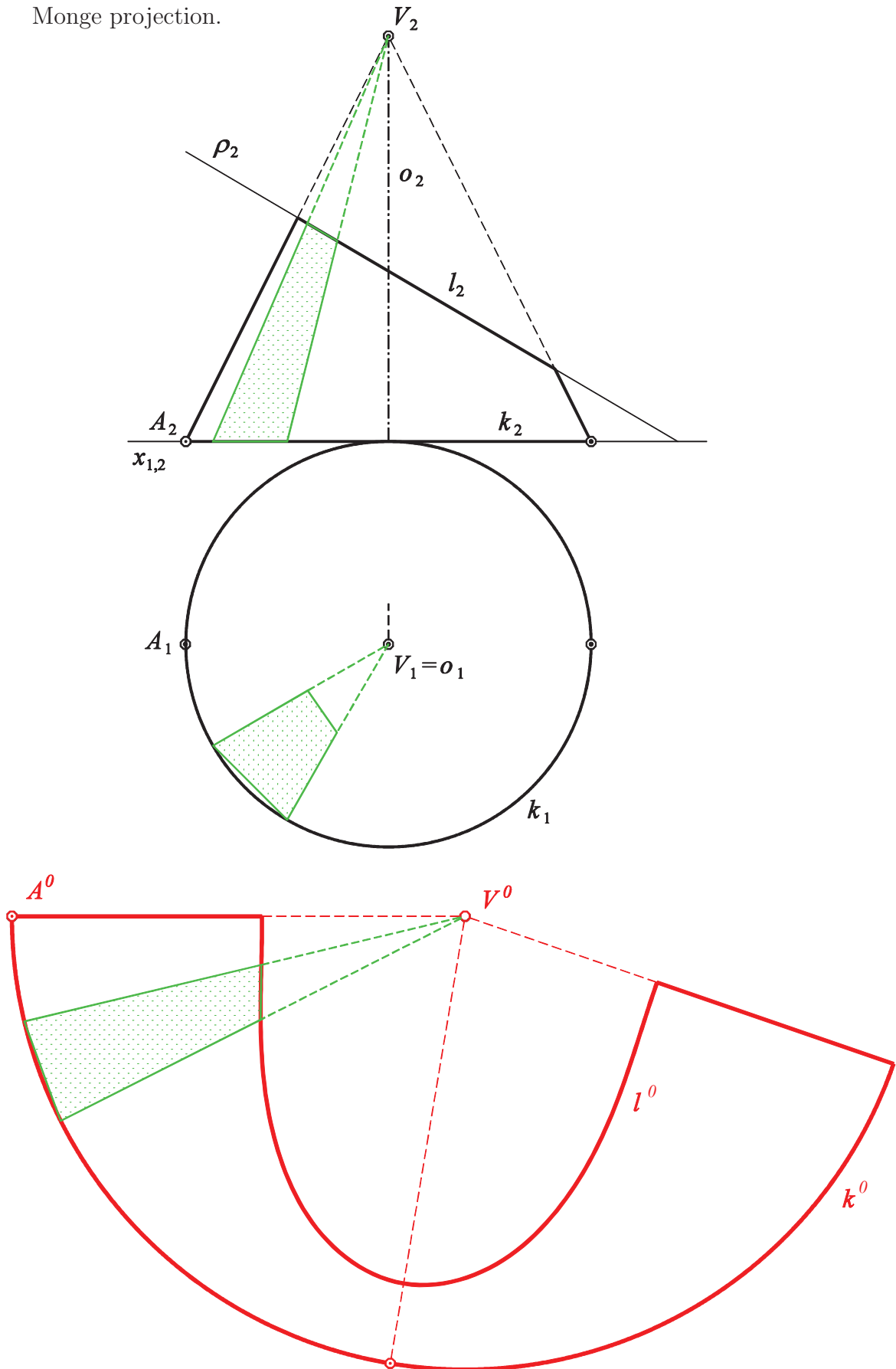


7. Developable surfaces

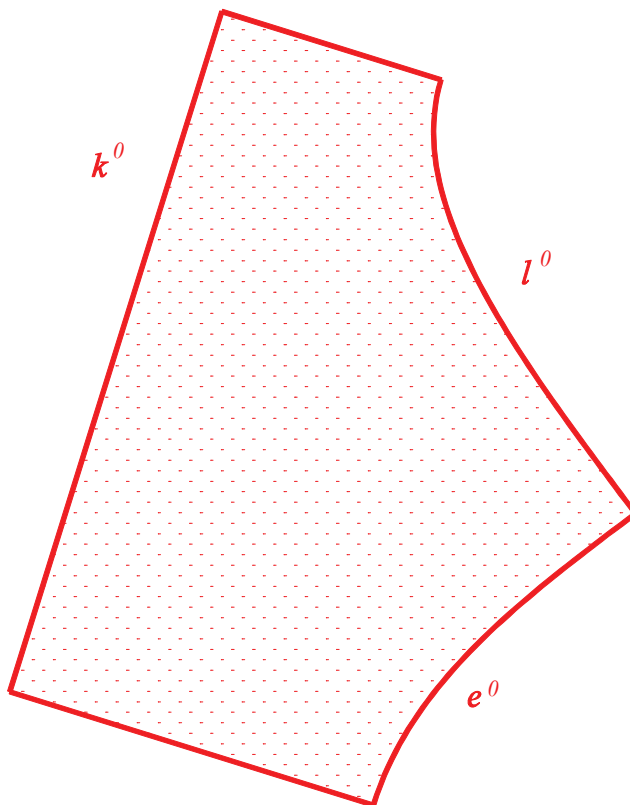
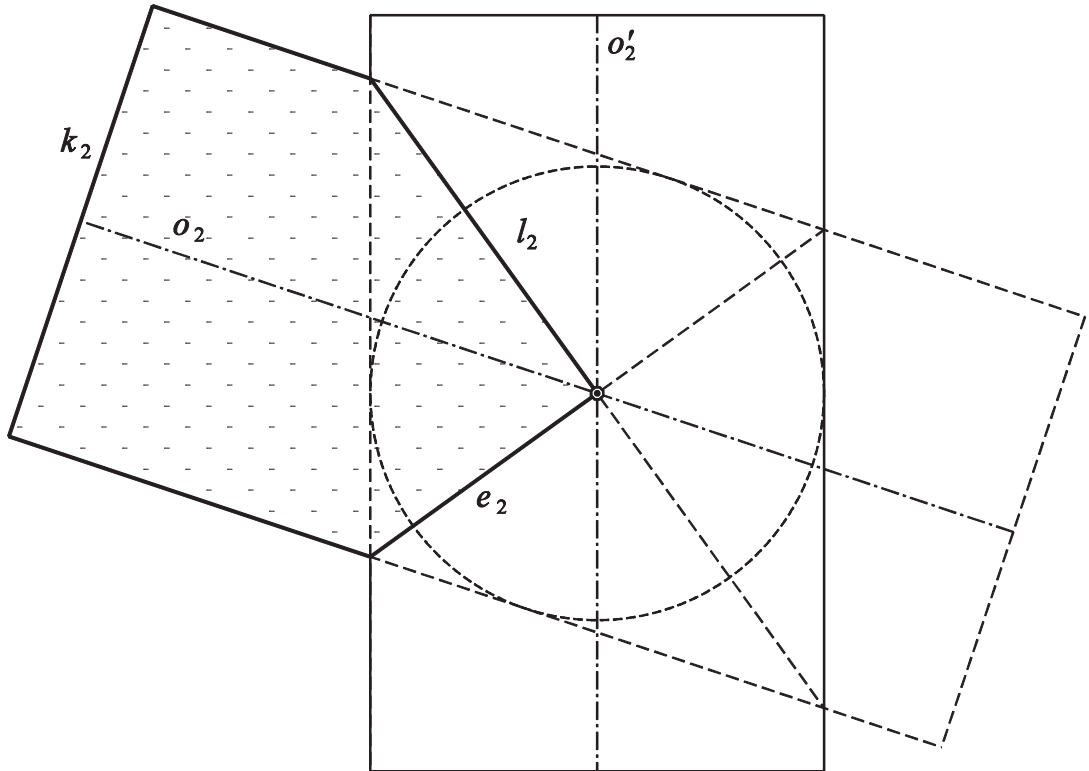
7.1. Develop the part of cylinder of revolution between its base k and ellipse $e \subset \rho$. Use Monge projection.



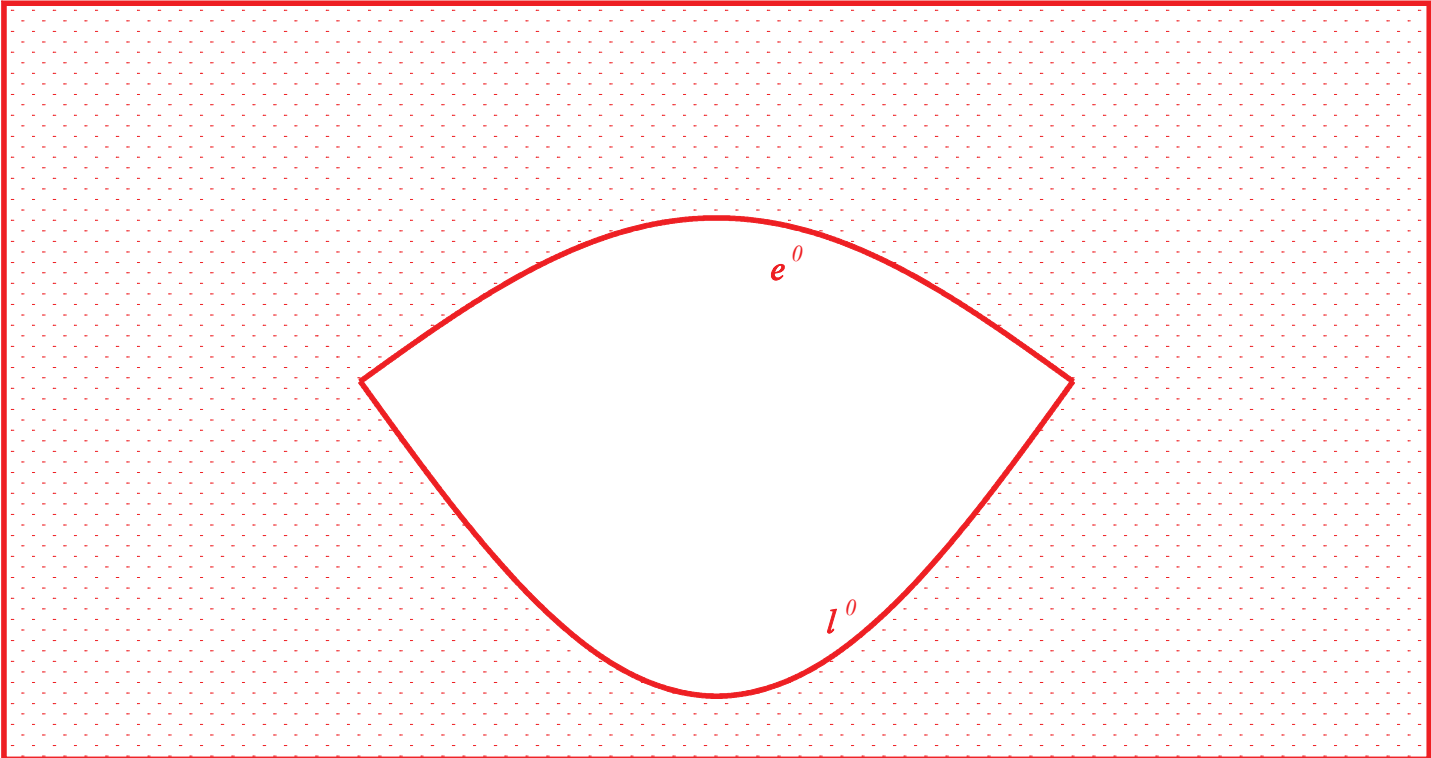
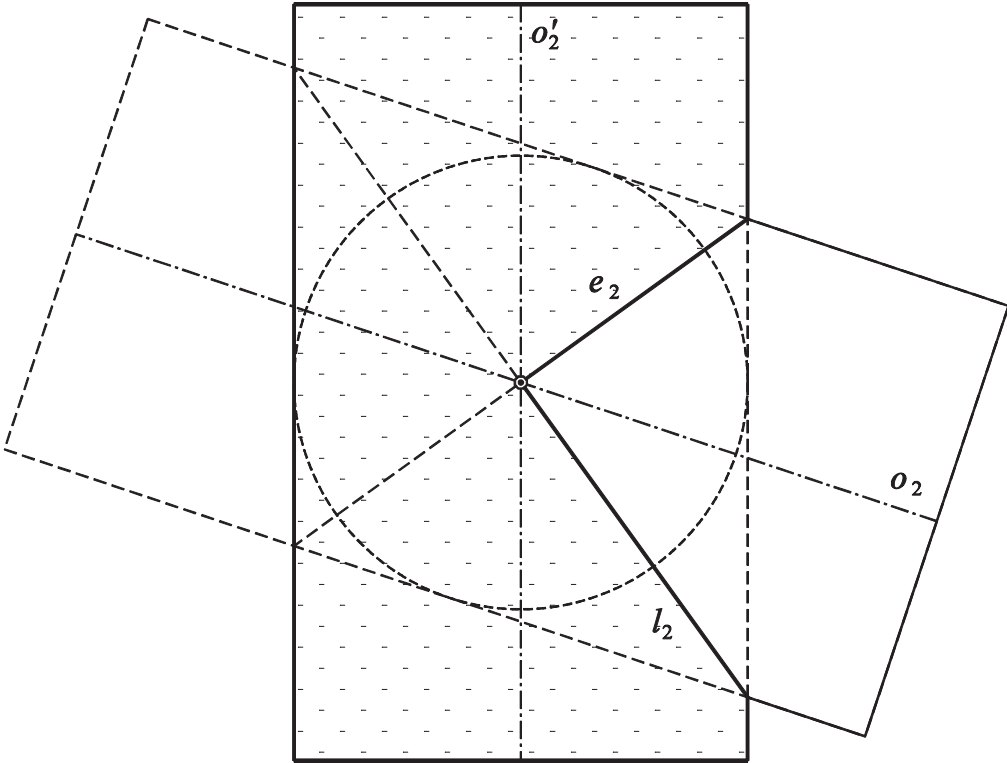
7.2. Develop the part of cone of revolution (V, k) between its base k and ellipse $l \subset \rho$. Use Monge projection.



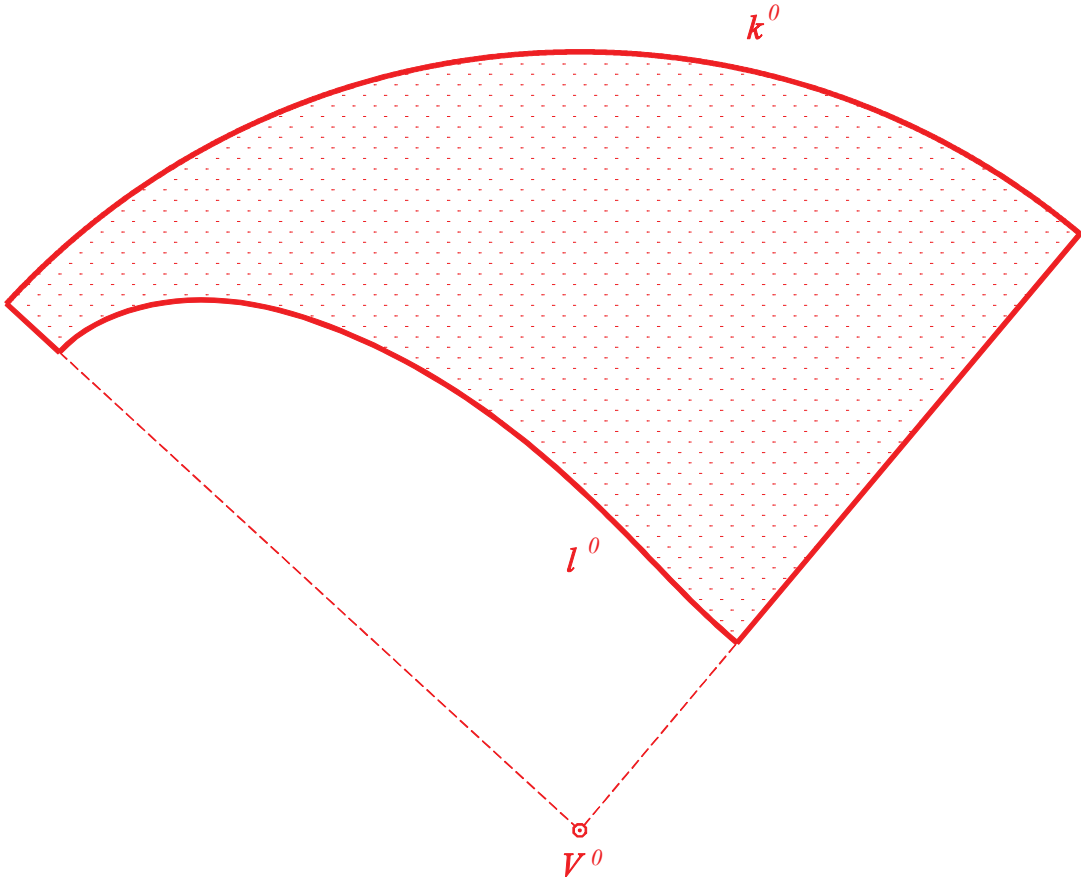
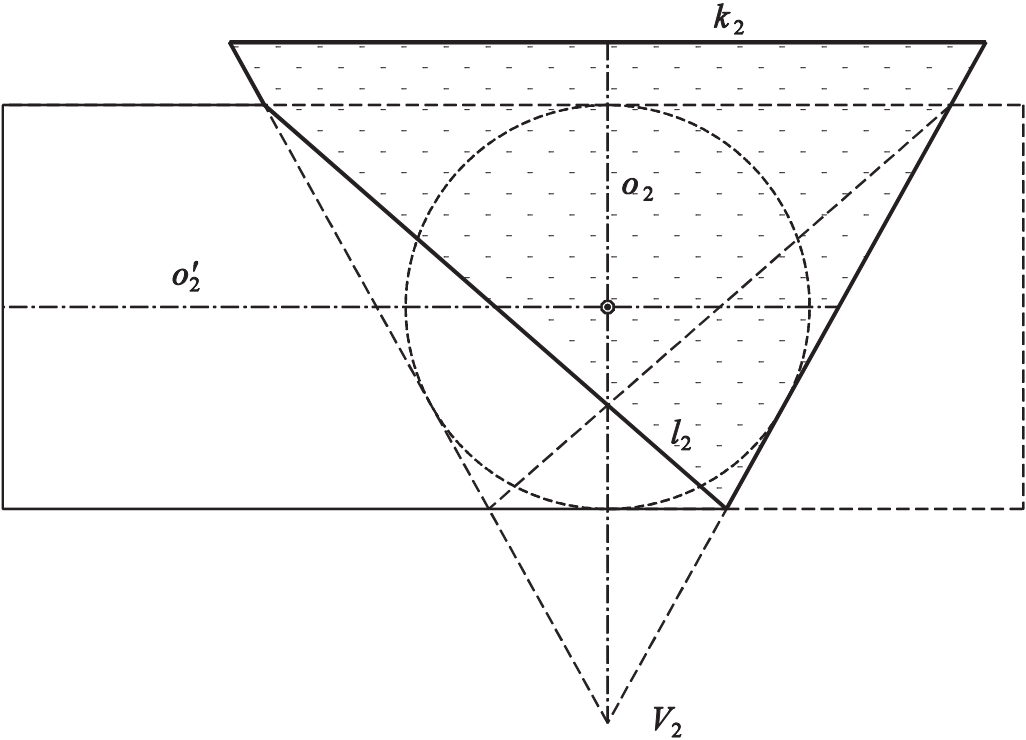
7.3. Degenerated intersection of two cylinders of revolution is given. Develop the dotted part of the cylinder of revolution.



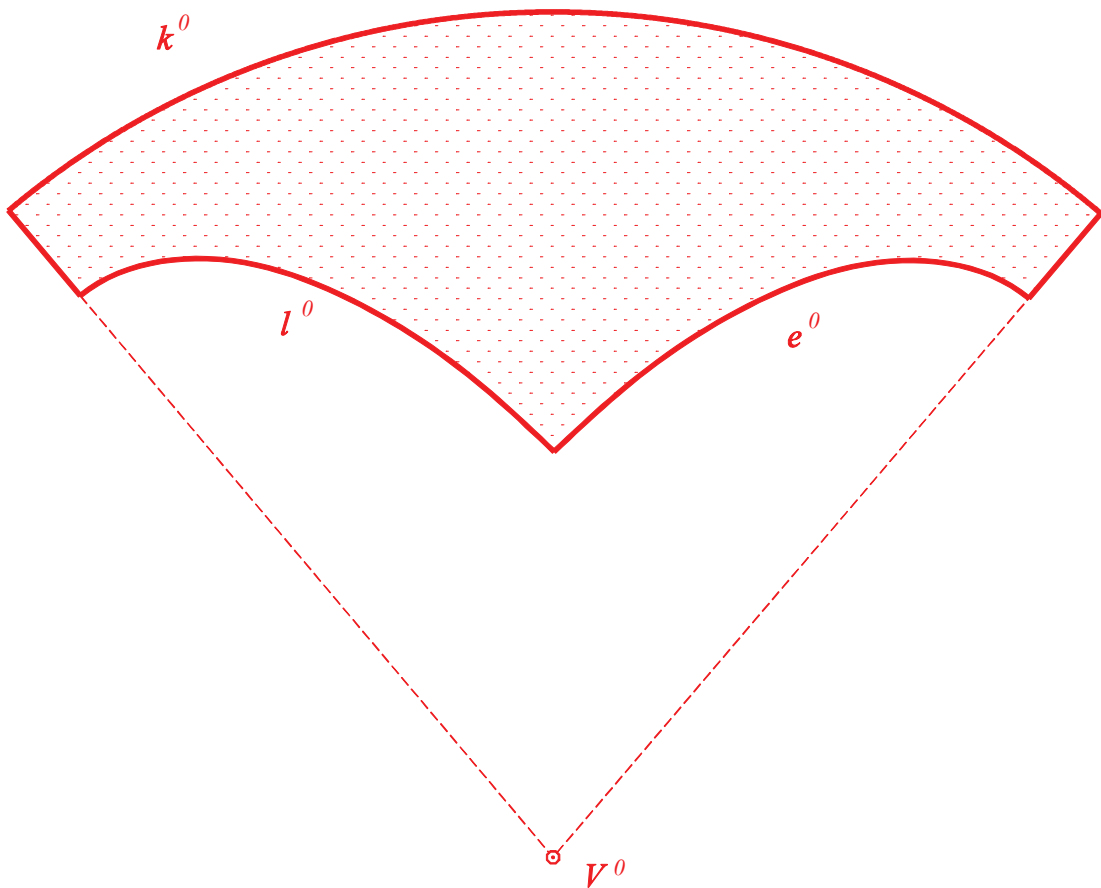
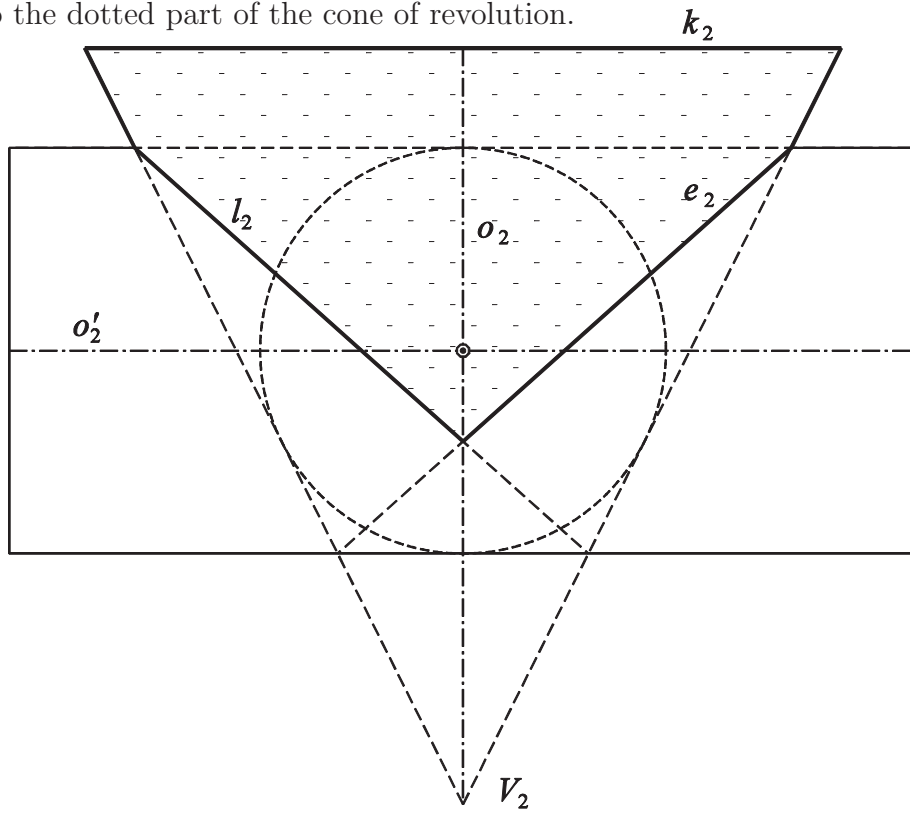
7.4. Degenerated intersection of two cylinders of revolution is given. Develop the dotted part of the cylinder of revolution.



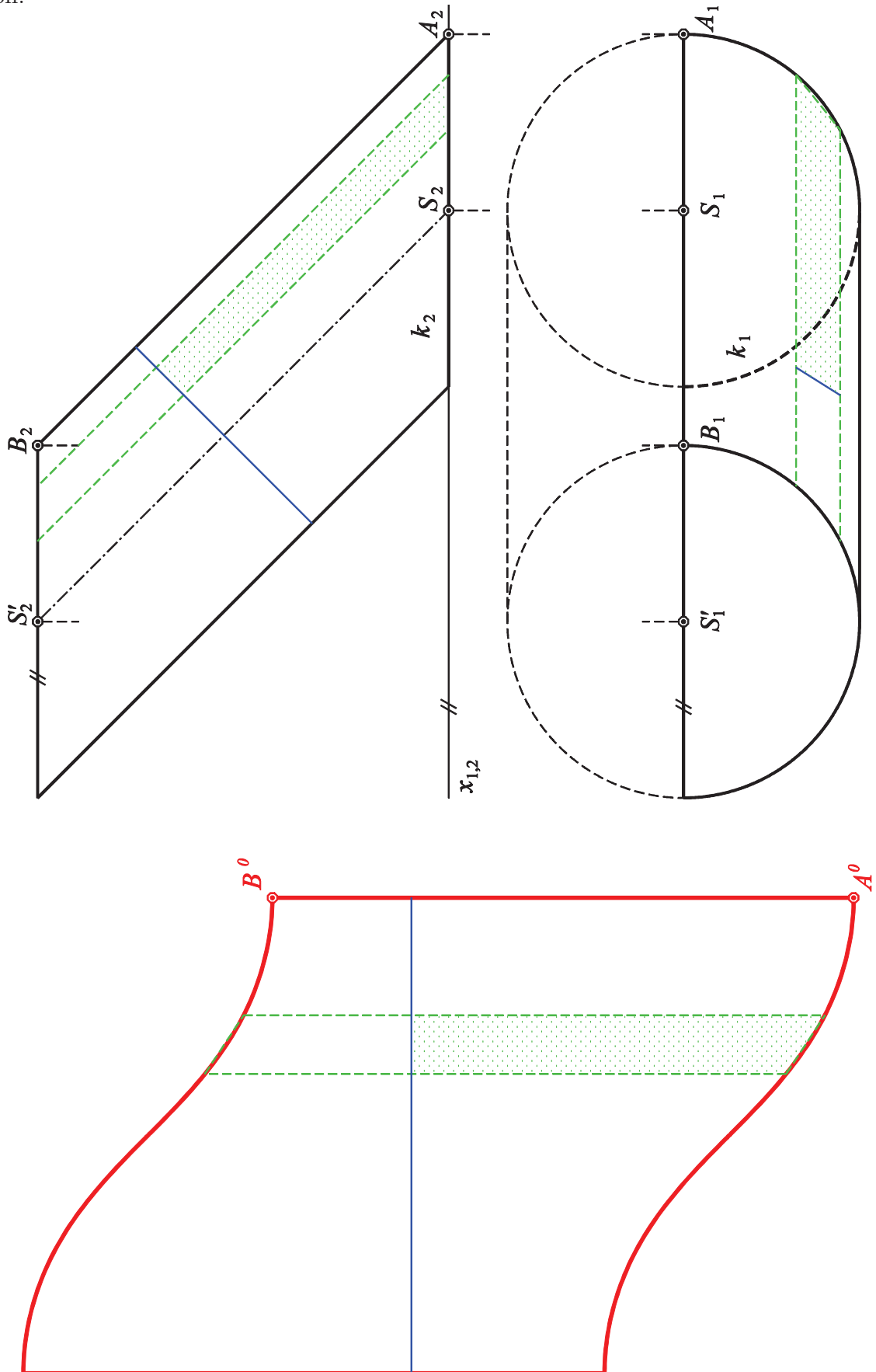
7.5. Degenerated intersection of cylinder of revolution and cone of revolution is given. Develop the dotted part of the cone of revolution.



7.6. Degenerated intersection of cylinder of revolution and cone of revolution is given. Develop the dotted part of the cone of revolution.



7.7. Oblique cylinder is given. Develop the front part of the cylinder. Use Monge projection.



7.8. Oblique cone is given. Develop the front part of the cone. Use Monge projection.

